



DECOPRINT

DECORATION AND COVERING PANEL - 1 MM WITH CUSTOMIZED DIGITAL PRINTING

APPLICATIONS

The Decoprint printed panel is the original solution created and developed by SPM. We custom-build your decoration panel, using digital printing to place your image (photograph, drawing, logo, text, etc.) on the back of the panel, in the requested size. It is also possible to link images to provide a continuous image.

It enhances a touch of elegance and originality in buildings looking for aesthetic or signage solutions to cover walls in form.

The Decoprint panel creates a welcoming environment while meeting the hygiene requirements necessary in buildings that are open to the public.

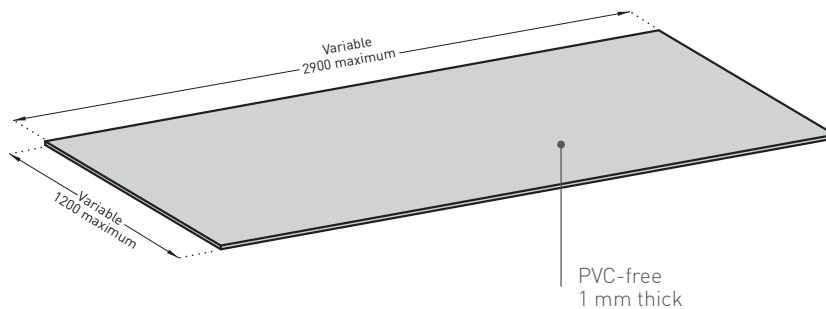
DESCRIPTION

- Model: Decoprint decoration and covering panel with customized digital printing
- Height: made-to-measure (maximum 1.20 m)
- Width: made-to-measure (maximum 2.90 m)
- Thickness: 1 mm
- Material: translucent and Bs1d0 fire-rated PVC-free with image printed on the back
- Surface finish: matt and smooth
- Fixing: adhesive bonding with SPM acrylic glue or SPM multipurpose adhesive sealant. Joints between panels can be made using silicone joints, colour matched to the range.
- Colours: translucent for customization.

SPECIFICATION

- Description: decoration and covering panel with customized digital printing (Decoprint as manufactured by SPM). Translucent and rigid PVC-free achieving Bs1d0 reaction to fire classification with images printed on the back, its surface is matt and smooth. Its maximum height is 1.20 m and its maximum length is 2.90 m and is 1 mm thick. A protective film is specified to minimise cleaning before acceptance.
- Environment: no heavy metals and no substance potentially subjected to any REACH restriction are used in its manufacture, nor PBT/BPA. The emission level of volatile substance in inside air has been tested according to ISO 16000-6 and is very low (A+) according to the French regulation (23 March 2011 nr 2011-321 Decree and 19 April 2011 Order). 100% of the product are recyclable.
- Colour: customized and selected by architects*
- Installation: glue as per manufacturer's instructions.

* The reproduced images or photos, provided by the user in accordance with SPM requested specification, must be free of copyright – if they are not, the reproduction rights are payable by the user, who has full responsibility.



NOTA

The reproduced images or photos, provided by the user in accordance with SPM requested specification, must be free of copyright – if they are not, the reproduction rights are payable by the user, who has full responsibility.

RELEASE THE CREATIVITY OF YOUR WALLS !

The perfect combination to decorate and customize your interior.

More than a panel which covers your walls, Decoprint combines your inspiration and aesthetic ideal to your compelling need to preserve your interior.

Decoprint enhances your walls, your doors, and offers a touch of elegance in your establishment. Decoprint comes to infinity in any living space.

Let your creativity flow, we realize your custom-made project.



SPM CARRIES OUT YOUR CUSTOMIZED PANEL! WITH DECOPRINT, NO LIMITS FOR YOUR WALLS...

- Select the size of your panel (H. 1.20 m maximum / L. 2.90 m maximum),
- Select your image and send it to us as a JPEG file HD 300 dpi minimum. Images available on request – Please contact us.
- It is also possible to link images of several panels to provide a continuity.
- We proceed to the assembly of your model, to the printing and to the delivery of your customized panel.
- For a high-quality printing of your Decoprint projects, SPM recommends the image platforms Shutterstock and Adobe Stock.



EXAMPLES OF AVAILABLE VISUALS



Call our local service for answers to all your questions and to create a customized panel.

Specifications and section drawings on our website www.spm-international.com



bimobject BimObject in Revit and Archicad